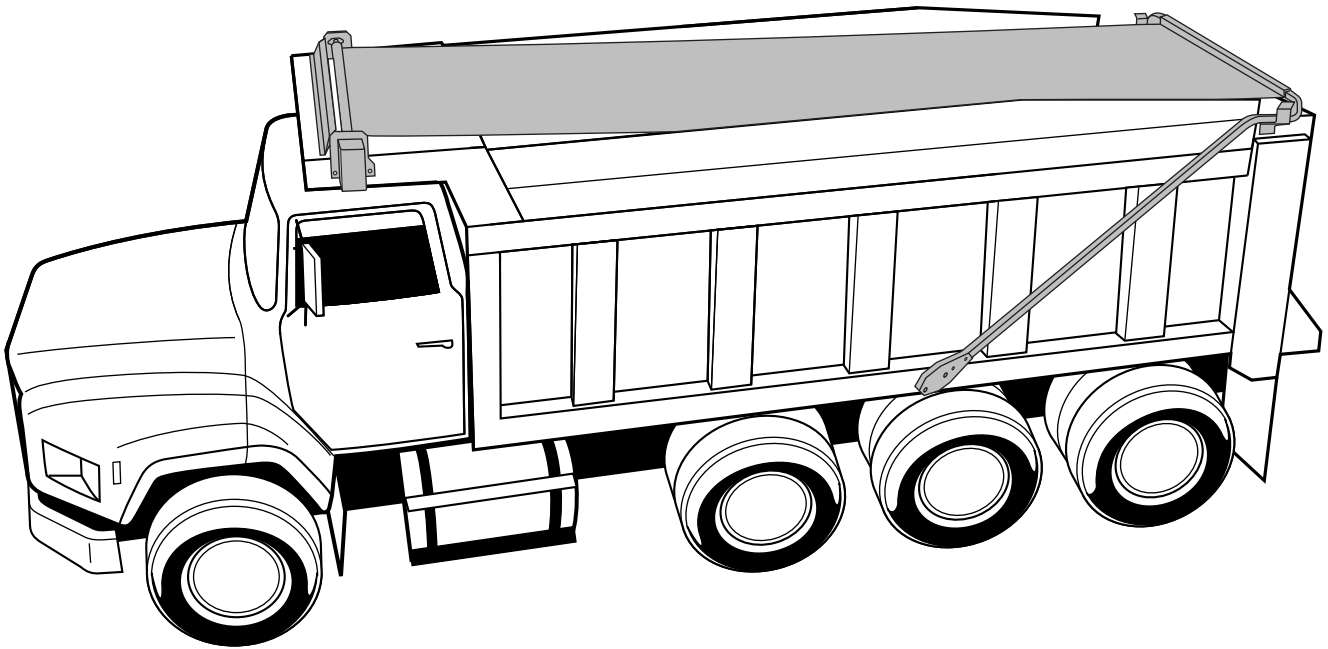


# Economy Easy Cover

## Model 50 (Steel) Model 55 (Aluminum)

Installation, Maintenance,  
and Safety Instructions



*Attention Dealers:  
Please give this manual to the customer when the product is delivered.*



# Economy Easy Cover

**Important:** This manual explains how to install, operate, and maintain the Model 50 v2 (Steel Tube) and the Model 55 (Aluminum Tube) Economy Easy Cover. Before installing or operating the Easy Cover, read the entire cover.

Three kinds of special explanations will appear throughout this manual. These are Warning, Caution, and Note. Be sure to follow them.

**Warning:** Possible danger to the operator or a bystander. The operator or bystander could be injured if you ignore this information.

**CAUTION:** Risk to the product. If you ignore this information, the Easy Cover or truck could be damaged.

**NOTE:** Contains additional information about a feature or step critical to the operation of the cover.

## Step 1

### Installing the Motor Assembly

**Parts you will need:**

- Mounting Plate D.S. (1)
- 3/8" x 1-1/2" Bolts (2)
- 3/8" Flat Washers (2)
- 3/8" Nylon Insert Nuts (2)

**NOTE:** If the electric motor assembly does not set squarely against the top rail, use shims to square the plate. Shim material is not included in the assembly package.

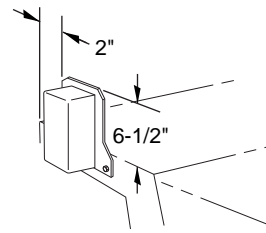
**Warning:** Before installing the electric motor assembly visually check the path of the swing arms so they do not obstruct the door or create a hazard to the operator. The swing arms will come to the rear edge of the crank assembly.

1. Remove the motor assembly cover.
2. Make a pencil mark 2" back from the front on the driver's side top rail (or cab shield). (See Figure 1)
3. Align the forward edge of the crank assembly with the pencil mark and position its top edge 6-1/2" above the top rail.
4. Mark the the mounting holes on the top rail. Remove the motor assembly.
5. Drill two 13/32" holes through the top rail where marked.

## Model 50 (Steel) Model 55 (Aluminum)

### Installation, Maintenance, and Safety Instructions

Figure 1



6. Bolt the motor assembly in place with the bolts, washers, and nuts.
7. Replace the electric motor assembly cover.

## Step 2

### Installing the Passenger Side Mounting Plate and Roll-up Bar

**Parts you will need:**

- |                         |                            |
|-------------------------|----------------------------|
| Mounting Plate P.S. (1) | 3/8" Nylon Insert Nuts (3) |
| Roll-up Bar (1)         | 1/4" x 2" Bolt (1)         |
| 3/8" x 1-1/2" Bolts (3) | 1/4" Nylon Insert Nut      |
| 3/8" Flat Washers (3)   |                            |

**NOTE:** If the mounting plate does not set squarely against the top rail, use shims to square the plate. Shim material is not included in the assembly package.

1. Make a vertical pencil mark 2" back from the back from the front on the top rail. (or cab shield). (See Figure 1)
2. Align the forward edge of the passenger side mounting plate with the pencil mark, and position its top edge 6-1/2" above the top rail. The bearing on the mounting plate should be on the inside.
3. Mark the three mounting holes on the top rail. Remove the driver side mounting plate.
4. Drill three 13/32" holes through the top rail where marked.



# Economy Easy Cover

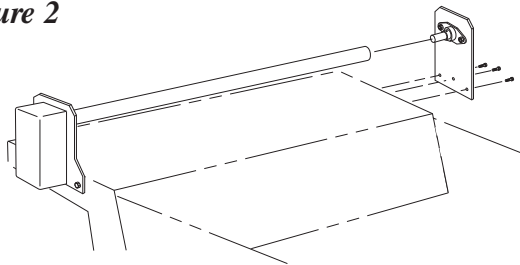
## Model 50 (Steel) Model 55 (Aluminum)

### Installation, Maintenance, and Safety Instructions

5. Measure the distance between the inside of the electric motor assembly plate and the inside of the passenger side mounting plate. It must be a minimum of 94" to use the roll-up bar at the supplied length. If it is less than 94", cut the bar on the open end to a length that will allow 1" of clearance at each end of the roll-up bar bar.

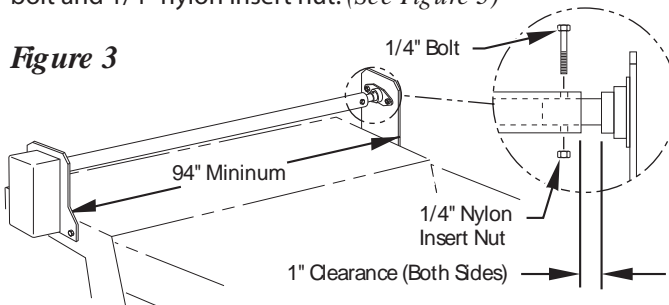
6. Insert the passenger side roll-up bar through the bearing on the passenger side mounting plate. Slide this roll-up bar into the driver's side shaft until the passenger side mounting plate can be bolted on the truck. (See Figure 2)

**Figure 2**



7. Bolt the passenger side mounting plate to the truck. Be sure to maintain a 1" clearance from the bearing. Drill a 1/4" hole through roll-up bar and crank shaft. Fasten with a 1/4" bolt and 1/4" nylon insert nut. (See Figure 3)

**Figure 3**



## Step 3

### Installing the Swing Arm Mounting Plates

**Parts you will need:**

Mounting Plate Assembly (2)

1/2" x 1-3/4" FH Screw (4)

1/2" Flat Washers (4)

1/2" Nylon Insert Nuts (4)

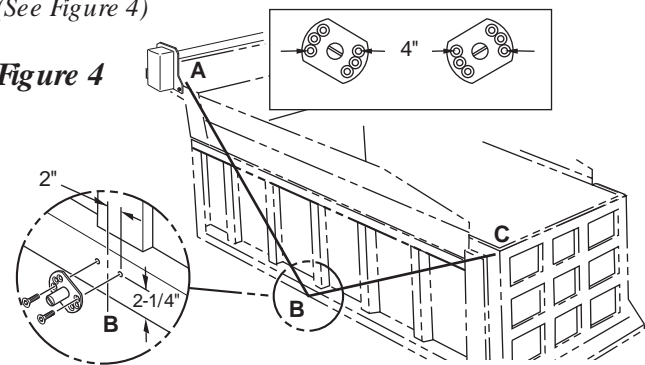
**NOTE:** Notice that the mounting plate assembly (B) is one point of the triangle. The other two points (A) and (C) are on the top of the truck. The two downward pointing legs of the triangle must be the same length. These steps will make sure that the two legs are equal.

1. Mark the rear edge of the crank assembly or mounting plate in line with the tarp roll-up bar on the driver and passenger sides. Mark these points and call them (A). (See Figure 4)

2. Determine where you want the rear of the tarp to be when it fully covers the box. Mark these points and call them (C).

3. Find a point at the side of the box that is the same distance from "A" and "C". This is point "B", where the mounting plate will be mounted. Mark this point on both sides. Once point "B" center line is marked, measure up 2-1/4" from the bottom of the dump rail and draw a horizontal line at least 6" long. From the intersection of point "B" and the horizontal line, measure out 2" each direction and drill a 1/2" hole at each location. (See Figure 4)

**Figure 4**



4. Install the mounting plate with the notch in the shaft pointing down toward the ground and to the rear of the truck using the 1/2" flat-head bolts, washers, and nylon insert nuts.

# Economy Easy Cover

## Model 50 (Steel) Model 55 (Aluminum)

Installation, Maintenance,  
and Safety Instructions

### Step 4

#### How to Install the Swing Arms and Spring Assembly

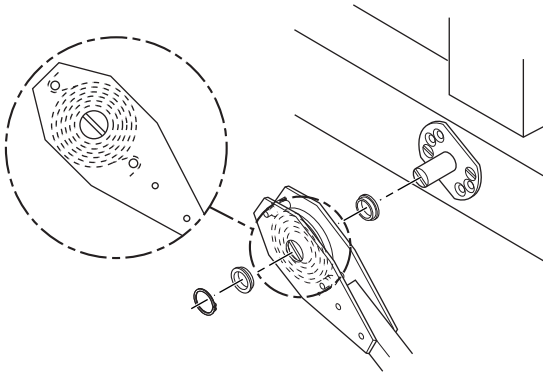
**Parts you will need:**

Swing Arms (2)	Washer Plastic (4)
Upper Connecting Arm (2)	Retaining Ring (2)
Rear Cross Arm (1)	Coiled Spring (2)

**NOTE:** Steel system requires 2 springs per side.  
Aluminum system requires 1 spring per side.

1. Place the spring(s) between the pivot plates, making sure that the loop of the spring is towards the swing arm tube that is setting on top of the 1/2" rod. From the outside of the plate, insert a plastic washer on each side of the plate. (See Figure 5)

**Figure 5**



2. Slide the assembly onto the driver side shaft with the arm pointed down and towards the rear of the truck/trailer. Install a snap ring into the groove of the shaft to hold the assembly in place.
3. Repeat steps 1 and 2 on the passenger side.

### Step 5

#### Installing the Tarp, Cross Arm, and Connecting Arms

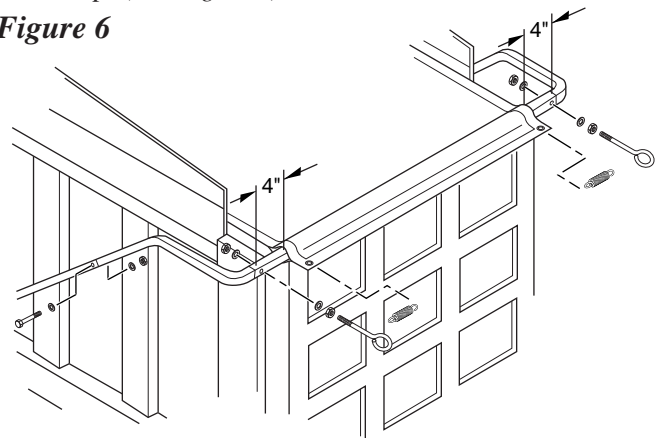
**Parts you will need:**

Tarp (1)	1/4" x 2" Hex Bolts (2)
Cross Arm (1)	1/4" Eye Bolt (2)
Connecting Arm D.S. (1)	1/4" Flat Washers (8)
Connecting Arm P.S. (1)	1/4" Nylon Insert Nuts (6)
4" Tarp-Centering Springs (2)	5/16" x 1" ST Bolts (6)

**NOTE:** The driver side and passenger side connecting arms can be interchanged to provide greater clearance with the box. Each connecting arm has a different part number. (See the assembly drawing at the back of the manual).

1. Feed the cross arm through the pocket in the end of the tarp. (See Figure 6)

**Figure 6**

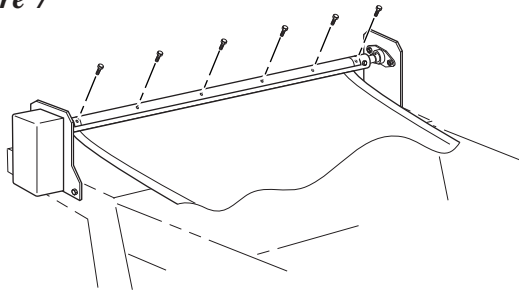


2. Raise the swing arm to the top of the tailgate and slide the ends of the connecting arms onto the swing arm.
3. Slide both connecting arms onto the swing arms.

# Economy Easy Cover

- Square the tarp and the rear cross bar with the top of the tailgate.
- Drill a 9/32" hole through each swing arm and connecting arm.
- Fasten the swing arms to the connecting arms with 1/4" x 2" hex bolts, washers, and nuts.
- Center the tarp from side to side on the rear cross bar.
- Measure 4" from the edge of the tarp on both sides. Drill a 9/32" horizontal hole through the connecting arm and cross arm. Do not drill through the tarp.
- Fasten the arms with eye bolts, washers, and nylon insert nuts. (See Figure 6)
- Attach the spring to the grommet in each corner of the tarp and to the eye bolt. Crimp the ends of the springs.
- Pull the loose end of the tarp under the tarp roll-up bar, winding from the underside. Make sure the tarp is centered from side to side. (See Figure 7)

**Figure 7**



**CAUTION:** The tarp must be rolled from the underside, for the cranking system to operate.

- Mark the tarp roll-up bar for screw placement using the grommets in the tarp as a guide.
- Drill six 7/32" holes.
- Fasten the tarp to the roll-up bar with the 5/16" x 1" self-tapping bolts.

## Model 50 (Steel) Model 55 (Aluminum)

### Installation, Maintenance, and Safety Instructions

## Step 6

### Installing the Swing Arm Brackets

**Parts you will need:**

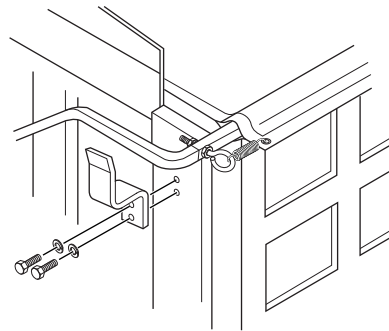
- Rear Swing Arm Bracket (2)
- 5/16" x 1" Self-Tapping Bolts (4)
- 5/16" Lock Washers (4)

**NOTE:** The swing arm rear brackets keep the tarp from striking or rubbing the rear of the box when the tarp covers the load.

**CAUTION:** Do not allow the cross arm to rest on the box or extend over the rear of the box. This will cause premature failure of the tarp.

- Decide where to place the swing arm brackets by using the brackets to push the cross arm slightly upward off the box (approximately 1"). Mark the mounting holes of the brackets. (See Figure 8)

**Figure 8**



- Drill two 9/32" holes. Fasten the brackets in place using 5/16" self-tapping screws and lock washers. Swing the cross arm down to double-check that the tarp is clear of the box.

# Economy Easy Cover

## Model 50 (Steel) Model 55 (Aluminum) Installation, Maintenance, and Safety Instructions

### STEP 7

#### How to Install the Electrical Controls

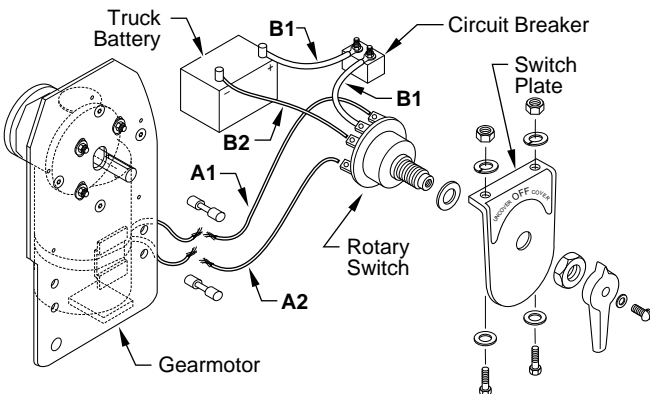
##### Parts you will need:

Rotary Switch Package (1)    Metal Loom Clamps (12)  
 #6 x #10 Wire Connectors (5)    Butt Connectors (2)  
 #6 x 3/8" Wire Connectors (1)    1/4"-20 Nylon Insert Nuts (2)  
 #6 Wire    1/4" Flat Washers (4)  
 Circuit Breaker (1)    1/4"-20 x 3/4" Screws (2)  
 #10 x 3/4" HWH Screws (12)    Wiring Diagram (1)

**NOTE:** Failure to properly install and use the circuit breaker will void the motor warranty. Some motors have threaded contact stubs in place of head wires. Reference the wiring diagram for additional information on wiring.

1. Peel decal and place on the switch plate. (See Figure 9)

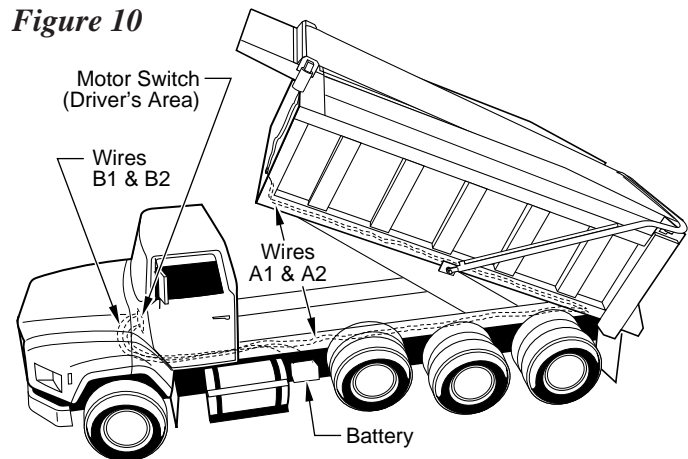
**Figure 9**



2. Find a convenient place, on the driver's side under the dashboard, to mount the switch plate. Using the switch plate as a template, mark and drill two holes for the sheet metal screws.
3. Mount the switch plate using the two sheet metal screws.
4. Remove the switch handle and fastening nut from the rotary switch. Pass the rotary switch's operating shaft through the hole in the switch plate from behind the plate. Replace the nut and tighten it to secure the switch to the plate. Replace the switch handle.

5. Measure the wiring distance from the gearmotor to the pivot point of the box, then from the pivot point through the truck body to the switch in the cab. If possible, run the wiring along an existing wiring harness. Add about 6" to the length and cut two (2) pieces at that length. Mark one wire "A1", and mark the other wire "A2". (See Figure 10)

**Figure 10**



6. Run the wiring from the gearmotor to the rotary switch, through the same places existing wiring runs, and secure using metal loom clamps and screws provided. Make sure to protect the wiring throughout its entire length, so that no piece of wiring is left exposed.
7. Fasten the two gearmotor leads to the ends of wire "A1" and "A2". This connection should be made with the two butt connectors.
8. Fasten #6 x #10 wire lugs onto the switch ends of "A1" and "A2". Attach these two lugs to the marked terminals of the rotary switch.



# Economy Easy Cover

## Model 50 (Steel) Model 55 (Aluminum) Installation, Maintenance, and Safety Instructions

9. Measure the wiring distance between the rotary switch and the truck's battery. If possible, run the wiring along an existing wiring harness. Add about 6" to this measurement and cut two pieces of #6 wire to this length and mark them "B1" and "B2".

10. Run wires "B1" and "B2" to the truck's battery.

11. Fasten #6 x #10 wire lugs to the switch ends of wires "B1" and "B2". Connect these ends to the marked terminals on the rotary switch.

12. Loosen the wire connections at the battery.

13. Fasten a #6 x #10 wire lug to the battery end of wire "B1" and fasten another #6 x 3/8" lug to wire "B2".

**NOTE:** Wire "B1" to be connected to positive on battery, and wire "B2" to be connected to negative on battery.

14. Connect the end of the circuit breaker with the 3/8" hole to the positive post of the battery. Tighten the battery connection.

15. Connect wire "B1" to the other end of the circuit breaker.

16. Connect wire "B2" to the negative side of the battery. Retighten the wire connections to the battery.

**CAUTION:** Since wires "A1" and "A2" are shorted when the rotary switch is in the OFF position, it is vital that the wires be connected properly to the switch, to avoid shorting "B1" and "B2".

17. To test direction, momentarily flip the rotary switch to "Cover". The tarp roll-up bar should turn counter-clockwise, viewed from the driver's side. Let the switch return to the center position. If the direction is not correct, reverse the wire connections at the gearmotor.

## Step 8

### Installing the Wind Deflector (Optional)

#### Parts you will need:

Wind Deflector (2)

5/16" x 1" Self-Tapping Screws (5)

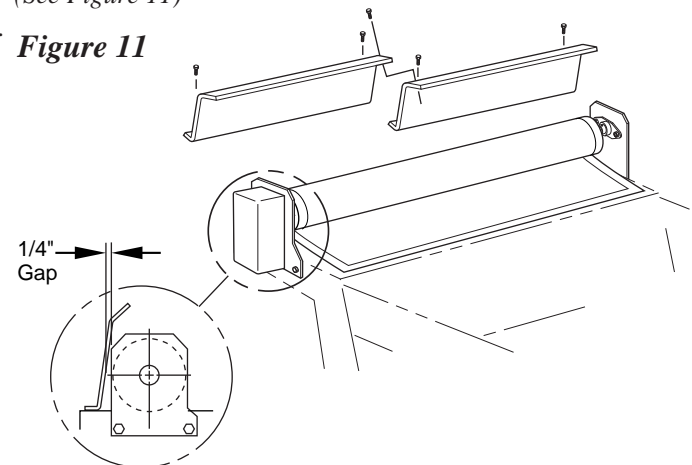
5/16" Lock Washers (5)

**NOTE:** If you are mounting the wind deflector somewhere other than across the front edge of the cab shield, you will have to place a support under the wind deflector to support the center of the wind deflector as well as to prevent air from getting under the tarp. Supports are not included in the assembly package.

1. Make sure dump is uncovered and the tarp is wound around the roll-up bar. Place one deflector on the passenger side mounting plate. Position deflector so there is 1/4" gap between deflector and tarp. Back the deflector up until it rests against the passenger side mounting plate (this provides support to the deflector). Fasten the deflector to the cab shield using two 5/16" self-tapping screws and lock washers.

(See Figure 11)

Figure 11



2. Place the other deflector on the driver side, over-lapping the passenger side deflector. Fasten to the cab shield, maintaining a 1/4" clearance between tarp and deflector, using two 5/16" self-tapping screws and lock washers. To support the center of the assembly, use a 5/16" self-tapping screw and a lock washer to fasten the two plates together as shown. (See Figure 11)

# Economy Easy Cover

---

## How to Operate the Tarp System

### *How to Uncover the Load:*

1. Insert the hand crank on the crank assembly, and turn clockwise. The tarp will roll up. You can stop at any point. The mechanism will hold the tarp in place.
2. Stop cranking when the tarp is completely rolled up.
3. Remove the hand crank and place in the cab for future use.

### *How to Cover the Load:*

1. Quickly pull the brake handle to the farthest down position. The tarp will fly back a short distance and then stop. As long as you hold the handle down, the tarp will not move.

**CAUTION:** Do not let go of the brake handle until the tarp is fully over the load. The handle provides braking action for the tarp swing. If you let go of the handle before the tarp is over the load, it could cause damage to the crank assembly.

2. Carefully release brake handle until the tarp begins to move again. The tarp should move slowly. If the tarp is moving to fast, pull the handle slightly, to apply pressure on the brake.

---

## Safety Considerations

- ⚠ Warning:** *Never operate the tarp system under obstructions, such as trees or power lines.*
- ⚠ Warning:** *Always check to make sure that no one is at the rear of the box or in the immediate area of the tarp as it operates. Keep everyone clear of the area.*
- ⚠ Warning:** *Make sure that all safety guards are in place before operating the tarp system.*
- ⚠ Warning:** *Keep all clothing clear of moving parts.*
- ⚠ Warning:** *Make sure the hand crank is removed before covering the load.*
- ⚠ Warning:** *Be sure that your working platform is secure as you work on the truck. Use OSHA approved ladders or scaffolding to work above ground level.*

## Model 50 (Steel) Model 55 (Aluminum)

### Installation, Maintenance, and Safety Instructions

---

## How to Maintain the Easy Cover

Minimal maintenance is required for the Easy Covers. Individual usage and operating conditions will determine when to check the Easy Cover. Aero Industries recommends a weekly inspection of the following items:

**Bearings** - Pull the shafts from side to side and in and out. If there is excessive play, replace the bearings. Lubricate as often as necessary with penetrating oil. Operating conditions will determine how often to lubricate. Do not use an excessive amount of lubricant.

**Springs** - Examine springs for breakage or stretching. Lubricate the tension springs with penetrating oil as often as conditions dictate.

**Screws** - Make sure that all mounting bolts and screws are in place and tight and that no parts are worn or damaged.

**General** - Replace all worn or broken parts immediately.

Replacement parts may be obtained from the dealer or by contacting Aero Industries.

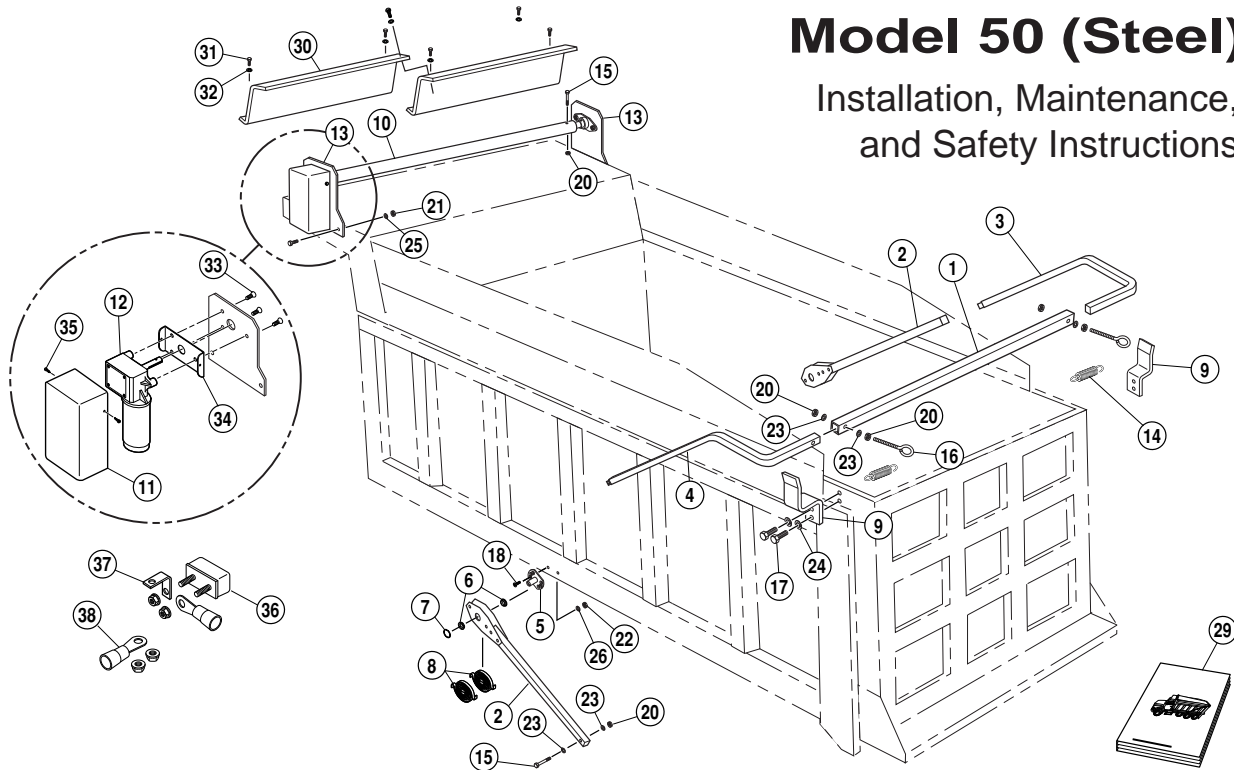




# Economy Easy Cover

## Model 50 (Steel)

Installation, Maintenance,  
and Safety Instructions



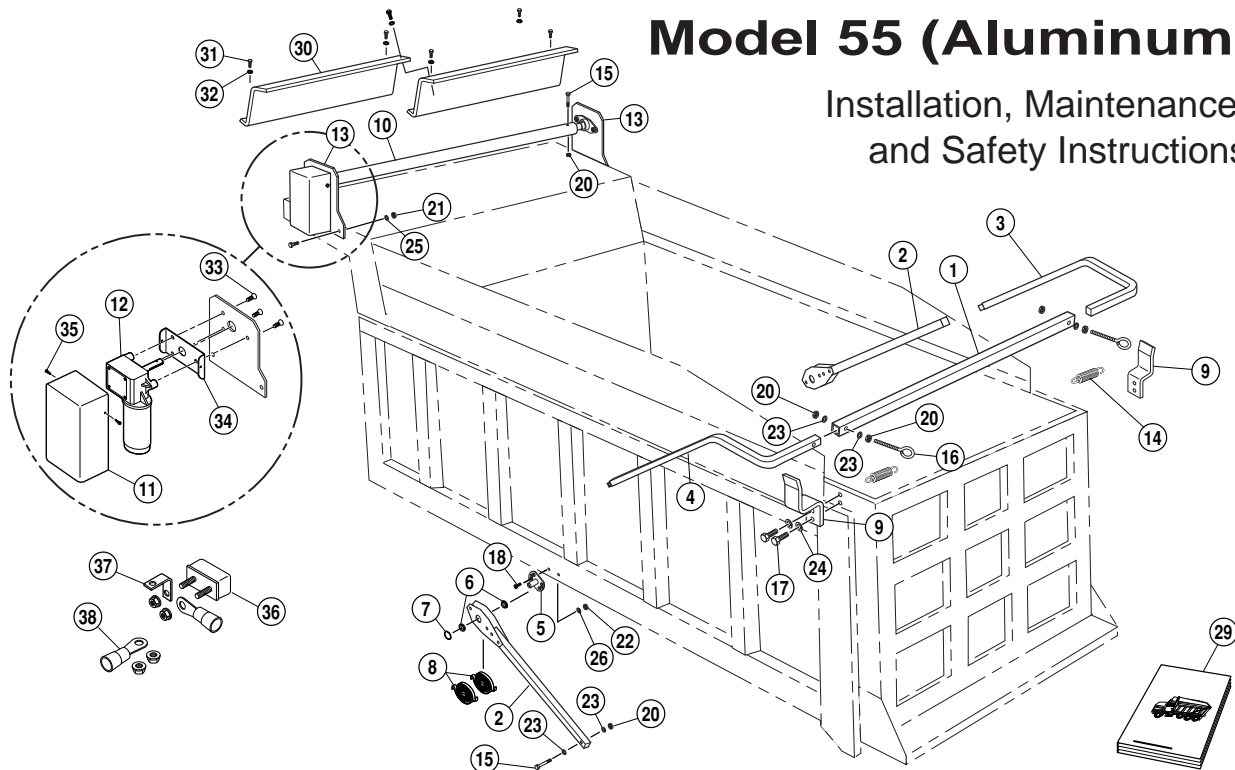
No.	Part No.	Description	Qty.	No.	Part No.	Description	Qty.
1	1440-281666	Cross Arm (Steel)	1	20	0815-660451	Nut Hex 1/4"-20 Nylon Insert	7
2	0311-963303	Swing Arm (Steel)	2	21	0815-660660	Nut Hex 3/8"-16 Nylon Insert	6
3	0311-862828	Connecting Arm P.S. (Steel)	1	22	0815-660855	Nut Hex 1/2"-13 Nylon Insert	4
4	0311-862829	Connecting Arm D.S. (Steel)	1	23	0820-680410	Washer Flat 1/4"	8
5	0311-860908	Mounting Bracket Assy Spring	2	24	0820-680520	Washer Split Lock 5/16"	4
6	0311-863311	Bushing Plastic Insert	4	25	0820-680620	Washer Flat 3/8"	6
7	0311-860902	Retaining Ring 1-1/4"	2	26	0820-680810	Washer Flat 1/2"	4
8	0715-619550	Spring Spiral Double	2	27	0311-962809	Sprocket Shaft Weldment	1
9	0311-860230	Swing Arm Saddle	2	28	0720-603545	Chain #35 x 14'	1
10	0311-962521	Roll-up Bar	1	29	0930-861819	Installation Instructions	1
11	0311-860614	Cover Electric Motor	1	30	0311-861865	Wind Deflector	2
12	0755-960280	Motor Power Plus	1	31	0825-670551	1/4" x 1" Self-Tapping Screws	6
13	0311-961809	Electric Moyer Assembly	1	32	0820-680725	1/4" Lock Washers	6
14	0715-619601	Spring Tension 4"	2	33	0825-650887	Screw FHHS 5/16"-18 x 7/8"	3
15	0810-650473	Bolt HHCS 1/4"-20 x 2"	3	34	0311-860690	Bracket Motor Cover	1
16	0810-850915	Bolt Eye 1/4"-20 x 1-1/2"	2	35	0825-670375	Screw #10 x 1/2"	2
17	0810-650510	Bolt 5/16" x 1" Type F	10	36	0755-623501	Circuit Breaker 40 Amp	1
18	0825-660852	Screw 1/2" x 1-3/4" FHSCS	4	37	0755-623461	Buss Bar Formed 105 Degree	1
19	0810-670660	Bolt HHCS 3/8"-16 x 1-1/2"	6	38	0755-626504	Wire End #6 x 1/4" Ring	2



# Economy Easy Cover

## Model 55 (Aluminum)

Installation, Maintenance,  
and Safety Instructions



No.	Part No.	Description	Qty.	No.	Part No.	Description	Qty.
1	1350-145548	Cross Arm (Aluminum)	1	20	0815-660451	Nut Hex 1/4"-20 Nylon Insert	7
2	0311-963301	Swing Arm (Aluminum)	2	21	0815-660660	Nut Hex 3/8"-16 Nylon Insert	6
3	0311-863306	Connecting Arm P.S. (Aluminum)	1	22	0815-660855	Nut Hex 1/2"-13 Nylon Insert	4
4	0311-863307	Connecting Arm D.S. (Aluminum)	1	23	0820-680410	Washer Flat 1/4"	8
5	0311-860908	Mounting Bracket Assy Spring	2	24	0820-680520	Washer Split Lock 5/16"	4
6	0311-863311	Bushing Plastic Insert	4	25	0820-680620	Washer Flat 3/8"	6
7	0311-860902	Retaining Ring 1-1/4"	2	26	0820-680810	Washer Flat 1/2"	4
8	0715-619550	Spring Spiral Double	2	27	0311-962809	Sprocket Shaft Weldment	1
9	0311-860230	Swing Arm Saddle	2	28	0720-603545	Chain #35 x 14'	1
10	0311-962521	Roll-up Bar	1	29	0930-861819	Installation Instructions	1
11	0311-860614	Cover Electric Motor	1	30	0311-861865	Wind Deflector	2
12	0755-960280	Motor Power Plus	1	31	0825-670551	1/4" x 1" Self-Tapping Screws	6
13	0311-961809	Electric Moyer Assembly	1	32	0820-680725	1/4" Lock Washers	6
14	0715-619601	Spring Tension 4"	2	33	0825-650887	Screw FHHS 5/16"-18 x 7/8"	3
15	0810-650473	Bolt HHCS 1/4"-20 x 2"	3	34	0311-860690	Bracket Motor Cover	1
16	0810-850915	Bolt Eye 1/4"-20 x 1-1/2"	2	35	0825-670375	Screw #10 x 1/2"	2
17	0810-650510	Bolt 5/16" x 1" Type F	10	36	0755-623501	Circuit Breaker 40 Amp	1
18	0825-660852	Screw 1/2" x 1-3/4" FHSCS	4	37	0755-623461	Buss Bar Formed 105 Degree	1
19	0810-670660	Bolt HHCS 3/8"-16 x 1-1/2"	6	38	0755-626504	Wire End #6 x 1/4" Ring	2



# Economy Easy Cover

## Model 50 (Steel) Model 55 (Aluminum)

Installation, Maintenance,  
and Safety Instructions

### WARRANTY

Aero Products come with a one year warranty on all parts. It's another example of our ongoing commitment to customer satisfaction and quality.

### CUSTOMER SERVICE

1-800-535-9545

Our customer service technicians are trained to help you. Whether it's ordering, installation, or just general information on our products, you can count on expert advice from Aero.

---

Indianapolis, IN 4243 Bradbury Ave. 10308 South 144th St. 8540 State Route 14 Indianapolis, IN 46241	Omaha, NE Omaha, NE 68138	Streetsboro, OH Streetsboro, OH 44241	Burlington, ON AERO-KIT INDUSTRIES 5499 Harvester Rd. Burlington, ON L7L 5V4
Tel: 800-535-9545	Tel: 800-535-8552	Tel: 888-237-2262	Tel: 800-465-8277
Fax: 317-244-1311	Fax: 402-895-6129	Fax: 330-626-3277	Fax: 905-335-8499

• Aero Industries, Inc • 0930-861818 • 11-13-2014

