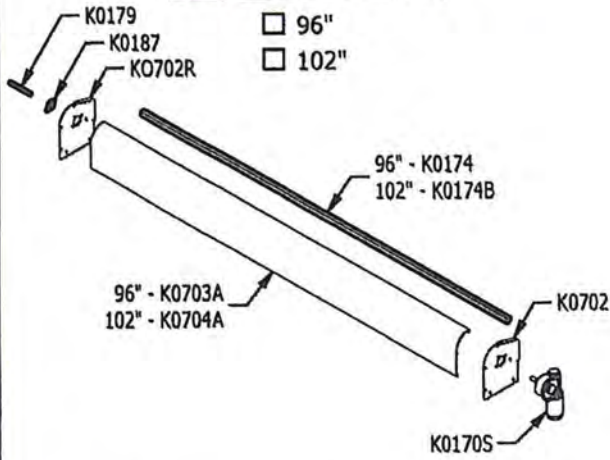
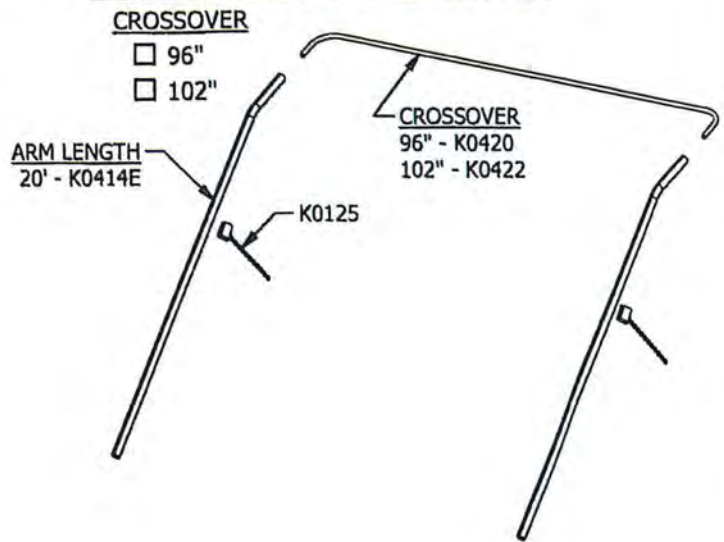


FLIP TARP ASSEMBLY FOR TOP MOUNT END DUMPS OVER 29' MANUAL & ELECTRIC

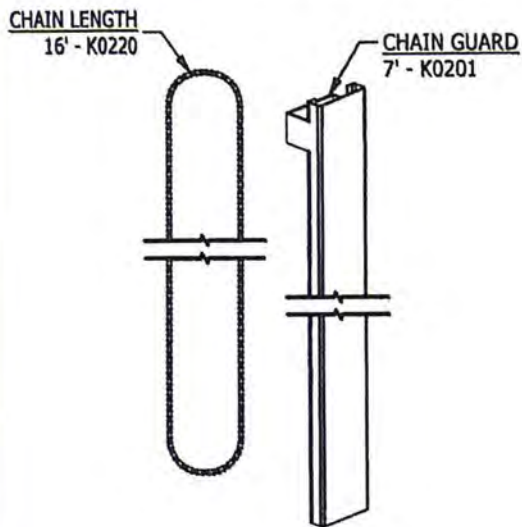
FACE SHIELD & END PLATES ELECTRIC ASSEMBLY



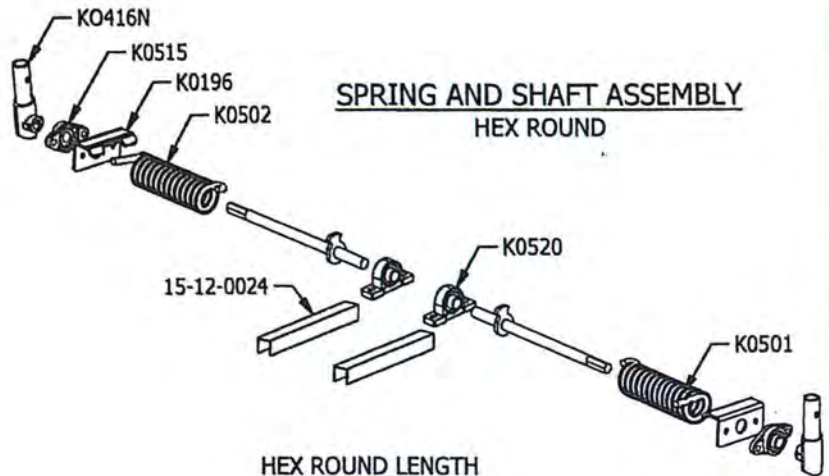
ARM AND CROSSOVER ASSEMBLY



CHAIN AND GEARBOX ASSEMBLY



SPRING AND SHAFT ASSEMBLY HEX ROUND



HEX ROUND LENGTH

- 19" - K0522HE
- 24" - K0524HE
- 27" - K0525HE FRAMELESS OPTION
- 31" - K0631HE FRAMELESS OPTION

OPTIONS

<input type="checkbox"/> WIRELESS REMOTE	<input type="checkbox"/> CUSTOM BEND
<input type="checkbox"/> MPW1000	

PART #	KIT DESCRIPTION	PRICE	PART #	KIT DESCRIPTION	PRICE
K620TMM	TOP MOUNT END DUMP MANUAL 96"		K020TMM	TOP MOUNT END DUMP MANUAL 102"	
K620TME	TOP MOUNT END DUMP ELECTRIC 96"		K020TME	TOP MOUNT END DUMP ELECTRIC 102"	