

BOX DETAIL SHEET FOR END DUMPS

CORRECT PHYSICAL MEASUREMENTS ARE ESSENTIAL FOR PROPER TARP FIT. PROVIDE ALL REQUESTED INFORMATION OR YOUR ORDER MAY BE DELAYED. DO NOT USE UNIVERSAL BOX SIZES. ALWAYS USE ACTUAL MEASUREMENTS.

CONTACT INFORMATION

G04BD-0512

NAME _____
 ADDRESS _____
 EMAIL _____
 CITY _____ STATE _____ ZIP _____
 PHONE _____ FAX _____
 BOX/TRAILER MAKE _____

BOX DIMENSIONS

A _____ UPPER BOX LENGTH
 B _____ UPPER BOX WIDTH
 Front _____ Center _____ Rear _____
 N _____ TOP RAIL WIDTH
 U _____ INSIDE BOX WIDTH
 X _____ BOX HEIGHT

CORNER CONFIGURATION | *Must select one — see Figure 1*

- SQUARE DIAGONAL RADIUS/NO RECESS
 SQUARE RECESS DIAGONAL RECESS

C _____ OUTSIDE CORNER RADIUS | *For all radius fronts*
 D _____ RECESSED WIDTH E _____ FLAT ACROSS FRONT
 F _____ FRONT-CORNER POST G _____ GUSSET LENGTH
 V _____ FLAT ACROSS DIAG. W _____ DIAGONAL DEPTH

TARP RAIL STYLE | *See Figure 2*

- SQUARE SELF CLEANING SQUARE W/PLANKS*

*Are planks flush with outside of top rail? Y / N (*Circle one*)

TARP RAIL DROP | *See Figure 3*

- FRONT REAR

L _____ BULKHEAD DEPTH O1 _____ FRONT TOP RAIL DROP
 M _____ THRESHOLD DEPTH O2 _____ REAR TOP RAIL DROP

FRONT END STYLE | *See Figure 4*

- RAISED FRONT SHIELD RAISED SHIELD/FLAT TOP RAIL
 SLANT W/CURVED RAISED FRONT SLANT W/SQUARE RAISED FRONT
 SQUARE TUB W/INVERTED RAM

AD _____ CYLINDER HEIGHT J _____ UPPER SHIELD WIDTH
 AE _____ DOGHOUSE DEPTH J1 _____ DOGHOUSE WIDTH
 H _____ SHIELD HEIGHT K _____ LOWER SHIELD WIDTH

REAR DUMP STYLE | *See Figure 5*

- OVERSLUNG HINGE GATE COMBO DOOR HINGE GATE
 HIGH POWER LIFT GATE RAISED HINGE GATE

AF _____ HINGE DEPTH AK _____ HINGE HEIGHT
 B _____ BOX WIDTH/REAR

TARP WEIGHT

- 18-OZ. 22-OZ.

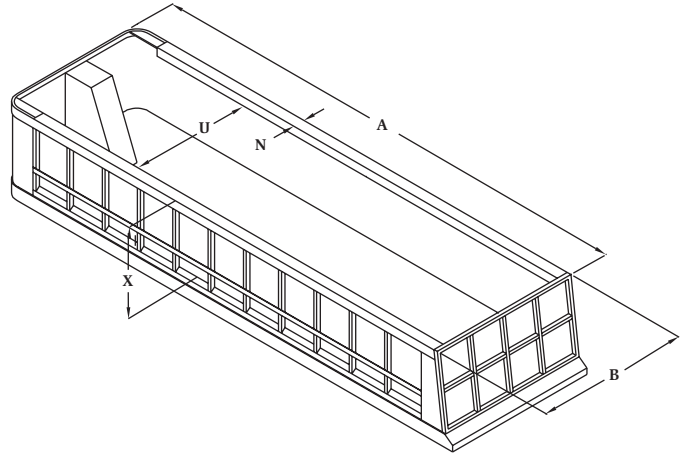


FIGURE 1

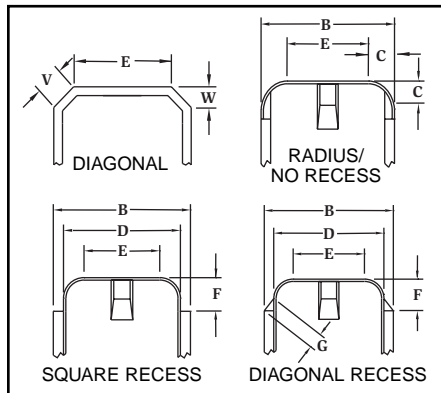


FIGURE 2

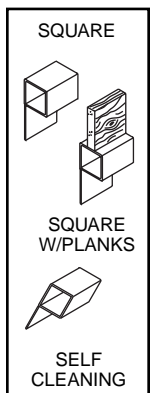


FIGURE 3

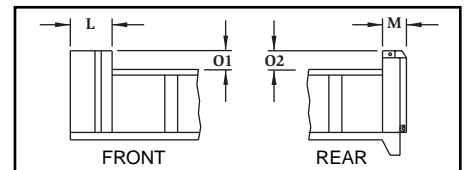


FIGURE 4

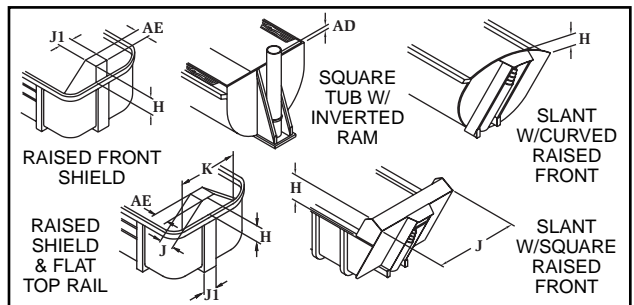


FIGURE 5

