

BOX DETAIL SHEET FOR DUMP BODIES

CORRECT PHYSICAL MEASUREMENTS ARE ESSENTIAL FOR PROPER TARP FIT. PROVIDE ALL REQUESTED INFORMATION OR YOUR ORDER MAY BE DELAYED. **DO NOT** USE UNIVERSAL BOX SIZES. **ALWAYS** USE ACTUAL MEASUREMENTS.

CONTACT INFORMATION

G08BD-0512

NAME _____
 ADDRESS _____
 EMAIL _____
 CITY _____ STATE _____ ZIP _____
 PHONE _____ FAX _____
 BOX/TRAILER MAKE _____

BOX DIMENSIONS

- A** _____ UPPER BOX LENGTH
B _____ UPPER BOX WIDTH Front _____ Center _____ Rear _____
H _____ SHIELD HEIGHT **J** _____ UPPER SHIELD WIDTH
K _____ LOWER SHIELD WIDTH **N** _____ TOP RAIL WIDTH
U _____ INSIDE BOX WIDTH **X** _____ BOX HEIGHT
U1 _____ PLANK-TO-PLANK WIDTH

CORNER CONFIGURATION | *Must select one – see Figure 1*

- SQUARE DIAGONAL RADIUS

- C** _____ OUTSIDE CORNER RADIUS | *For all radius fronts*
E _____ FLAT ACROSS FRONT
V _____ FLAT ACROSS DIAGONAL
W _____ DIAGONAL DEPTH

TARP RAIL STYLE | *See Figure 2*

- SQUARE SELF CLEANING SQUARE W/PLANKS*

*Are planks flush with outside of top rail? Y / N (Circle one)

CAB SHIELD STYLE | *See Figures 3 and 4*

- FLAT RAISED WITHOUT CAB SHIELD

- A** _____ UPPER BOX LENGTH **AJ** _____ CAB GUARD DEPTH
AC _____ REAR BOW DEPTH **Z** _____ CAB GUARD HEIGHT
O _____ TOP RAIL DROP Front _____ Rear _____

FRONT BODY STYLE | *See Figure 5*

- 1-SIDE/CUT-OUT SHIELD 3/4 RAISED SHIELD
 TAPERED CAB SHIELD FULL CAB SHIELD

- AG** _____ CAB GUARD WIDTH **H** _____ SHIELD HEIGHT
AH _____ INSIDE CAB GUARD WIDTH
AJ _____ CAB GUARD DEPTH **J** _____ UPPER SHIELD WIDTH
B _____ UPPER BOX WIDTH **Z** _____ CAB GUARD HEIGHT

REAR DUMP STYLE | *See Figure 6*

- OVERSLUNG HINGE GATE COMBO DOOR HINGE GATE
 HIGH POWER LIFT GATE RAISED HINGE GATE

- AF** _____ HINGE DEPTH **AK** _____ HINGE HEIGHT
B _____ BOX WIDTH/REAR

TARP WEIGHT

- 18-OZ. 22-OZ.

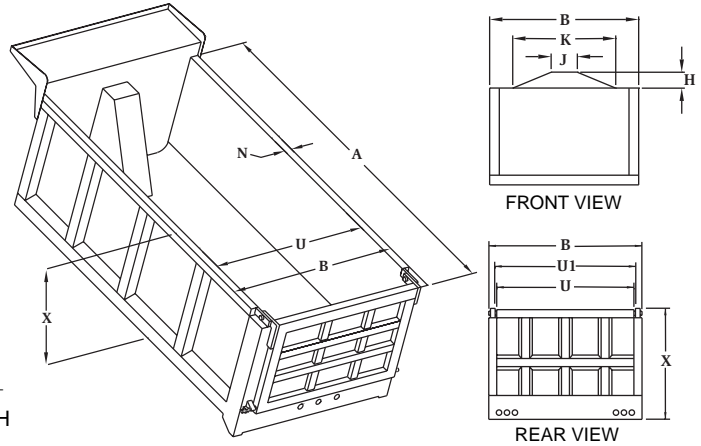


FIGURE 1

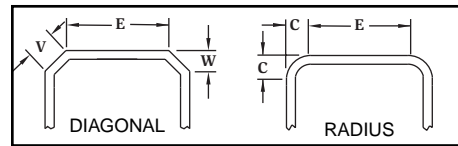


FIGURE 2

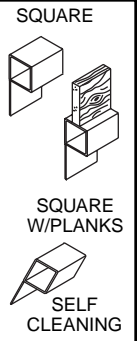


FIGURE 3

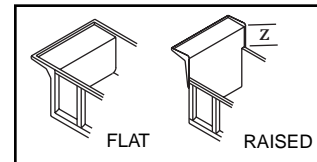


FIGURE 4

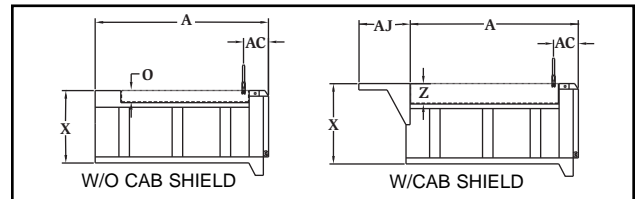


FIGURE 5

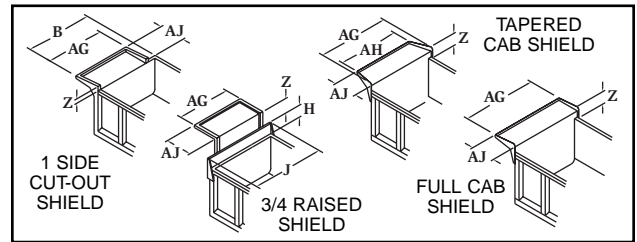


FIGURE 6

