

BOX DETAIL SHEET FOR BELLY DUMPS AND OPEN-TOP VANS

CORRECT PHYSICAL MEASUREMENTS ARE ESSENTIAL FOR PROPER TARP FIT. PROVIDE ALL REQUESTED INFORMATION OR YOUR ORDER MAY BE DELAYED. **DO NOT** USE UNIVERSAL BOX SIZES. **ALWAYS** USE ACTUAL MEASUREMENTS.

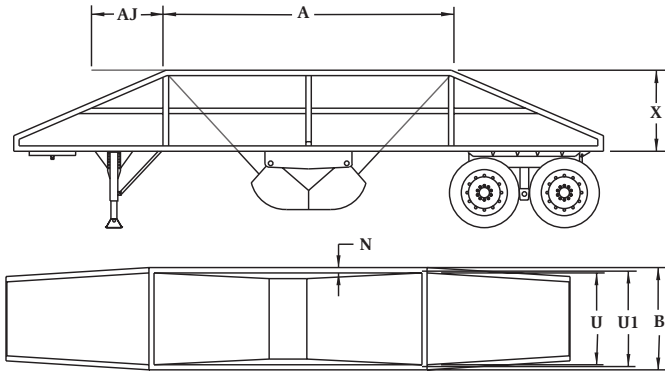


FIGURE 1

FIGURE 2

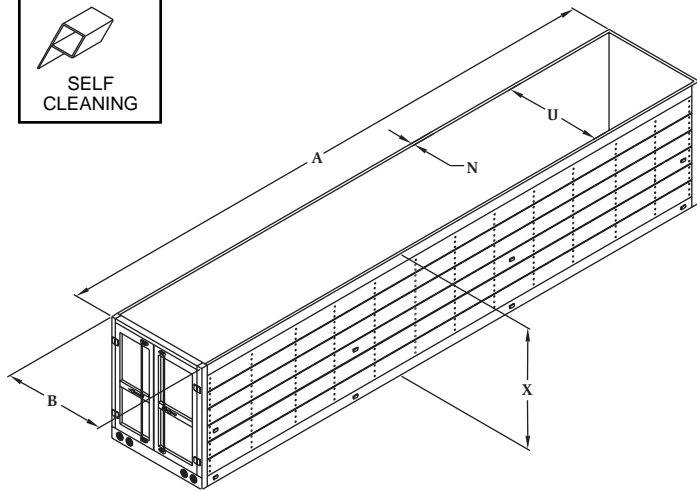
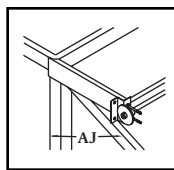
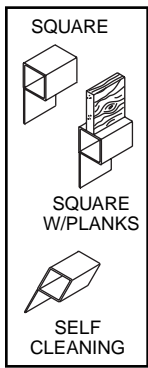
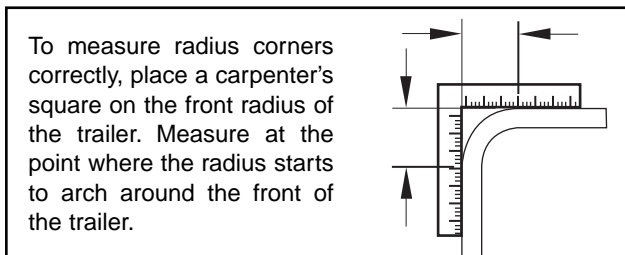
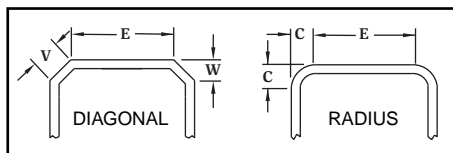


FIGURE 3



CONTACT INFORMATION

G09BD-0512

NAME _____
 ADDRESS _____
 EMAIL _____
 CITY _____ STATE _____ ZIP _____
 PHONE _____ FAX _____
 BOX/TRAILER MAKE _____

BOX DIMENSIONS FOR BELLY DUMPS

A _____ UPPER BOX LENGTH
 B _____ UPPER BOX WIDTH
 Front _____ Center _____ Rear _____
 N _____ TOP RAIL WIDTH
 U _____ INSIDE BOX WIDTH
 U1 _____ INSIDE PLANK-TO-PLANK WIDTH
 X _____ BOX HEIGHT

TARP RAIL STYLE | See Figure 1

SQUARE SELF CLEANING SQUARE W/PLANKS*

*Are planks flush with outside of top rail? Y / N (Circle one)

LANDING EXTENSION LENGTH | See Figure 2 – for Shur-Trak™ only

AJ _____

TARP COLOR(S) _____

BOX DIMENSIONS FOR OPEN-TOP VANS

A _____ UPPER BOX LENGTH
 B _____ UPPER BOX WIDTH
 Front _____ Center _____ Rear _____
 N _____ TOP RAIL WIDTH
 U _____ INSIDE BOX WIDTH
 X _____ BOX HEIGHT

CORNER CONFIGURATION | See Figure 3

SQUARE DIAGONAL RADIUS

C _____ OUTSIDE CORNER RADIUS | For all radius fronts
 E _____ FLAT ACROSS FRONT
 V _____ FLAT ACROSS DIAGONAL
 W _____ DIAGONAL DEPTH

TARP WEIGHT

18-OZ. 22-OZ.

TARP COLOR(S) _____

dan@tarpGuy.com

757-615-4379

WWW.TARPGUY.COM